

GUARDIAN/GUARDIANX DP53 NEMA 4 or 4X AIR CONDITIONERS

Model	NEMA Rating	UL/CUL Listed or Recognized	BTU/H Capacity	95/95 Rating BTU/H	Ambient Temp.		Volts	Hz	Running Amps	Approx. Weight	
					°F Max./Min	°C Max./Min				lbs.	kg.
K2NA6C18DP53L	4	Listed	18000	15800	125/-20	52/-28	208/230	60	20.0/17.1	224	102
K2NA6C18DP53L	4	Listed	14400	13000	131/-20	55/-28	220	50	17.2	224	102
K2NA6C18DP53LV	4X	Listed	18000	15800	125/-20	52/-28	208/230	60	20.0/17.1	224	102
K2NA6C18DP53LV	4X	Listed	14400	13000	131/-20	55/-28	220	50	17.2	224	102

Rating shown is for operation at maximum ambient temperature.



STANDARD FEATURES

- Baked Powder Finish (NEMA 4 models)
- Closed-Loop Cooling
- Compressor Short Cycle Protector
- Condenser Blower Controller
- Epoxy-Coated Condenser and Evaporator Coils
- Filters (2)
- Heavy-duty Steel Shell (NEMA 4 models)
- Internal Corrosion Protection (NEMA 4X models)
- NEMA 12, 3R and 4 or 4X Rating Maintained (UL50)
- Programmable Temperature Alarm
- Programmable Thermostat
- Six-Foot [1.8m] (minimum) 3-Wire Power Cord
- Stainless Steel Shell (NEMA 4X models)
- UL/CUL Listed
- Zero ODP Refrigerant

ACCESSORIES AND OPTIONS

- Adapter
- Enclosure Heater
- Filter Recoating Adhesive
- Internal Corrosion Protection (NEMA 4 models)
- Remote Monitoring
- Remote Thermostat Relay
- Replacement Filters
- Special materials or finishes
- Special motors, line cords or connectors



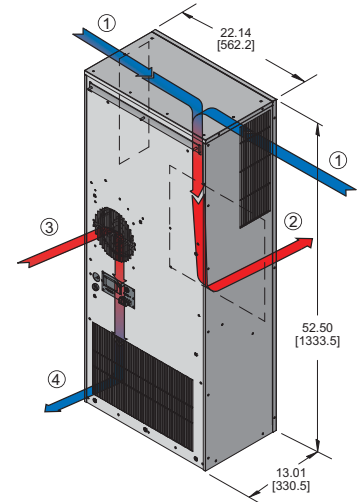
**NEMA
TYPE 4 OR 4X
MAINTAINED**

Find additional information on this model at kooltronic.com, or use the Technical Documents QR code below.

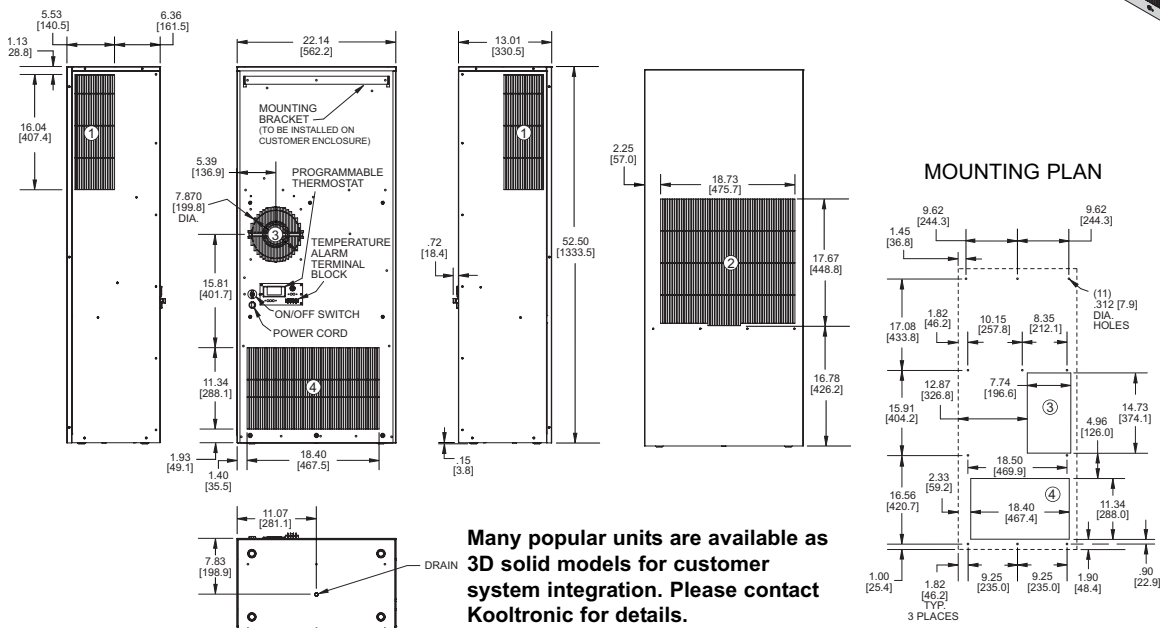
Technical Documents



- CONDENSER AIR INLET (Ambient Air In)
- CONDENSER OUTLET (Warm Ambient Air Out)
- WARM AIR RETURN FROM ENCLOSURE
- COOL AIR OUTLET TO ENCLOSURE

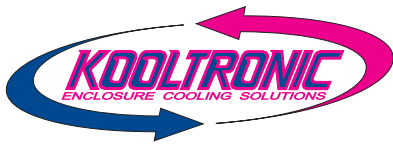


DRAWINGS



Dimensions, inches [mm], are for reference only and are subject to change.

nema dp501.qxd (10/27/21) (CDR: 20369)



GUARDIAN/GUARDIANX DP53 NEMA 4 or 4X AIR CONDITIONERS

DESCRIPTION

The **Guardian/GuardianX** Indoor/Outdoor Air Conditioners are designed specifically for **NEMA 4** and **4X** enclosure applications that require washdown or are subject to outdoor storm conditions. All **Guardian** models have a **NEMA 4** Rating, offering protection against the hazards of unwanted environmental penetration. The **GuardianX**, with the **NEMA 4X** Rating, is offered with a Stainless Steel Shell and Internal Corrosion Protection.

With Epoxy-coated condenser coils and a closed-loop cooling system, the **Guardian Series** offers added security by providing an operating environment safe from harsh ambient conditions.

The features engineered into all of the **Guardian Series** models make them a tamper-resistant choice for external applications. Combined with a NEMA 4 Rating, with all models UL/CUL Listed, the **Guardian Series** is an excellent choice for telecommunications or other outdoor cabinet applications.

FEATURES AND BENEFITS (STANDARD)

All models UL and cUL Listed, a standard of safety.

CFC-free refrigerant provides a zero ozone depletion potential.

Condenser blower controller installed in the refrigerant liquid line, controlling the condenser fan.

Closed-loop cooling provides stable temperature control while excluding dust and humidity from the electrical enclosure.

Compressor short-cycling protection extends compressor life.

Condenser impeller cycling provides stable capacity and temperature control.

Condenser filtration to maintain peak thermal performance extends compressor life.

Internal corrosion protection to increase reliability in hostile environments.

NEMA 12, 3R & 4 ratings for compatibility with listed electrical enclosures.

Programmable thermostat capable of remote monitoring and control is available.

Programmable temperature alarm to alert if early action required.

Stainless steel shell for NEMA 4X corrosive environments (NEMA 4X models).

Both evaporator and condenser coils are epoxy coated, prolonging unit life.

FEATURES AND BENEFITS (OPTIONAL)*

Enclosure heater eliminates damaging condensation, increasing reliability of electrical enclosure components.

Mounting adapter plates are offered to replace another manufacturer's unit.

Remote monitoring provides temperature data for warning of early action required.

Remote thermostat relay for control by a user-supplied control system.

Special paint finishes.

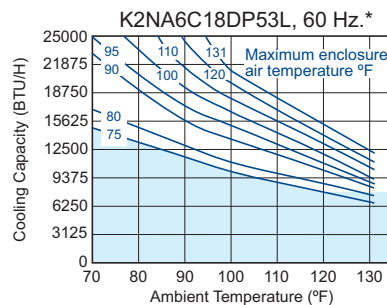
*Contact KOOLTRONIC for more information.

REPLACEMENT FILTERS

The DP53L-LV filter Part No. 6382F (16.88" x 6.38" x 0.34" [428.7mm x 162.0mm x 8.6mm]). The DP53L-LV uses two filters.



PERFORMANCE



Operation within shaded area not recommended.

* Operation at 50 Hz will be 10% less.